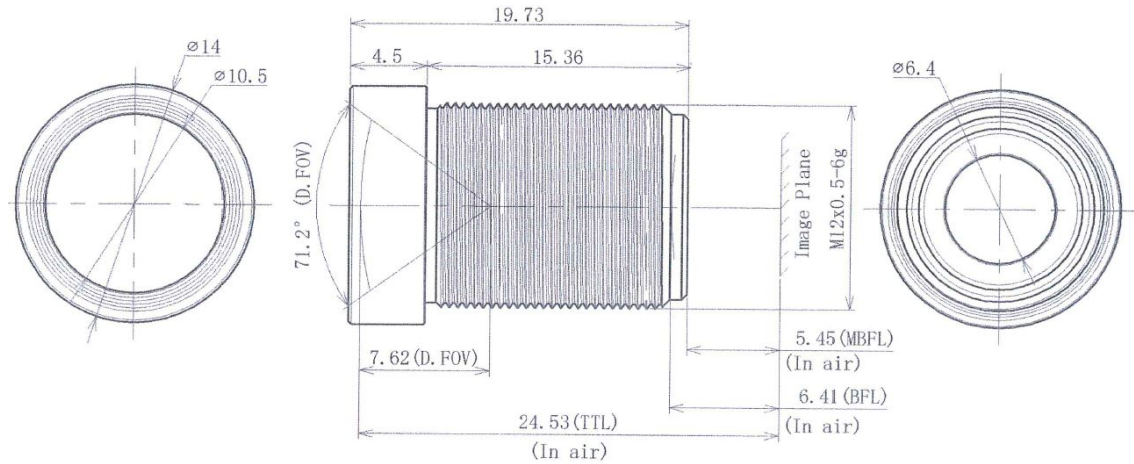


B10M5428S123ND



The S-Mount lens Lensagon B10M5428S123ND is suitable for current sensors up to 10.00 megapixel with an image format of 1/2.3 inch.

Technical Data

Mount	S-Mount
Sensor	1/2.3 inch
Focal Length	5.40 mm
Aperture	2.80
MOD	0.50 m
Back Focal	6.41 mm
Angle of View	D:71.20° H:60.00° V:46.70°
Megapixel	10.00 MP
IR Correction	Yes
Optical Distortion	-2.00 %
Image Circle	7.80 mm
Weight	7.00 g
Iris	fixed
Focus	fixed
Chief ray angle	10.00 °
Typ	Standard



10 Megapixel