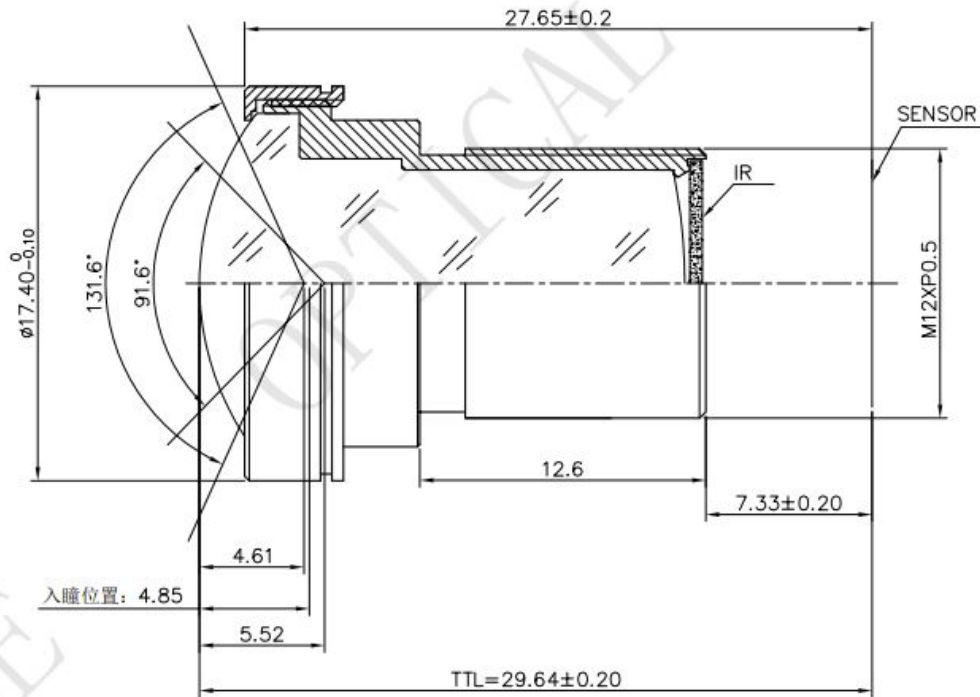


B12M4527S116C



The S-Mount lens Lensagon B12M4527S116C is suitable for current sensors up to 12.00 megapixel with an image format of 1/1.6 inch.

Technical Data

Mount	S-Mount
Sensor	1/1.6 inch
Focal Length	4.50 mm
Aperture	2.70
Angle of View	D:131.60° H:91.60° V:91.60°
Megapixel	12.00 MP
IR Cut Filter	Yes
Optical Distortion	-50.00 %
Image Circle	11.06 mm
Chief ray angle	9.20 °
Typ	Standard