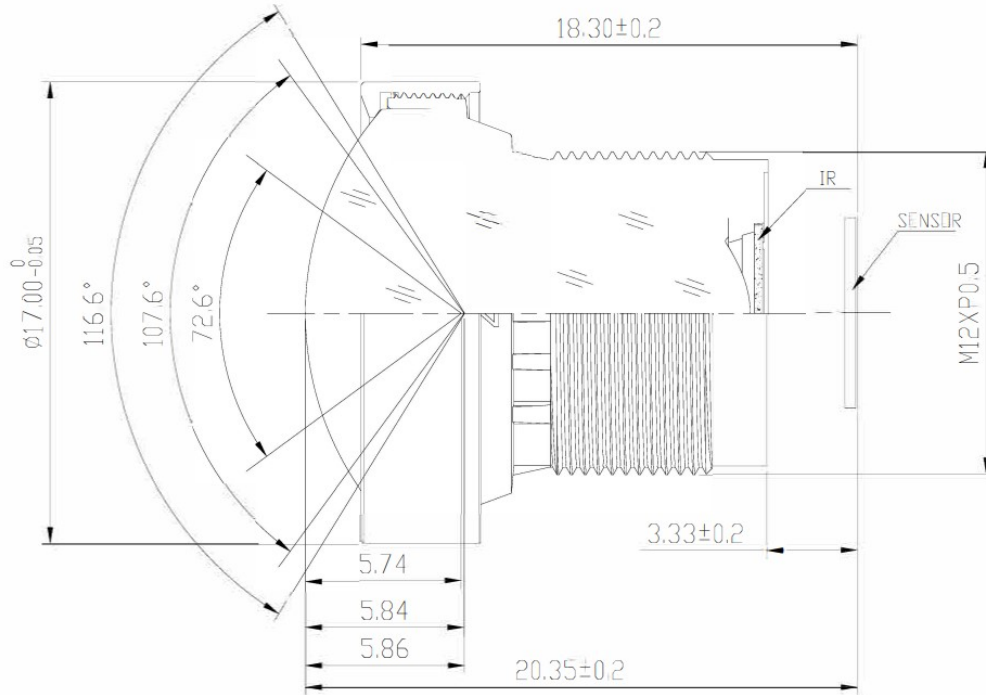


# B2M2025S129C



The S-Mount lens Lensagon B2M2025S129C is suitable for common sensors up to 2.00 megapixel with an image format of 1/2.9 inch.

## Technical Data

Mount	S-Mount
Sensor	1/2.9 inch
Focal Length	2.02 mm
Aperture	2.50
Back Focal	3.33 mm
Angle of View	D: $116.60^\circ$ H: $107.60^\circ$ V: $72.60^\circ$
Megapixel	2.00 MP
IR Correction	No
IR Cut Filter	Yes
TV Distortion	-3.20 %
Image Circle	7.06 mm
Chief ray angle	$13.50^\circ$
Typ	Standard



**2** Megapixel