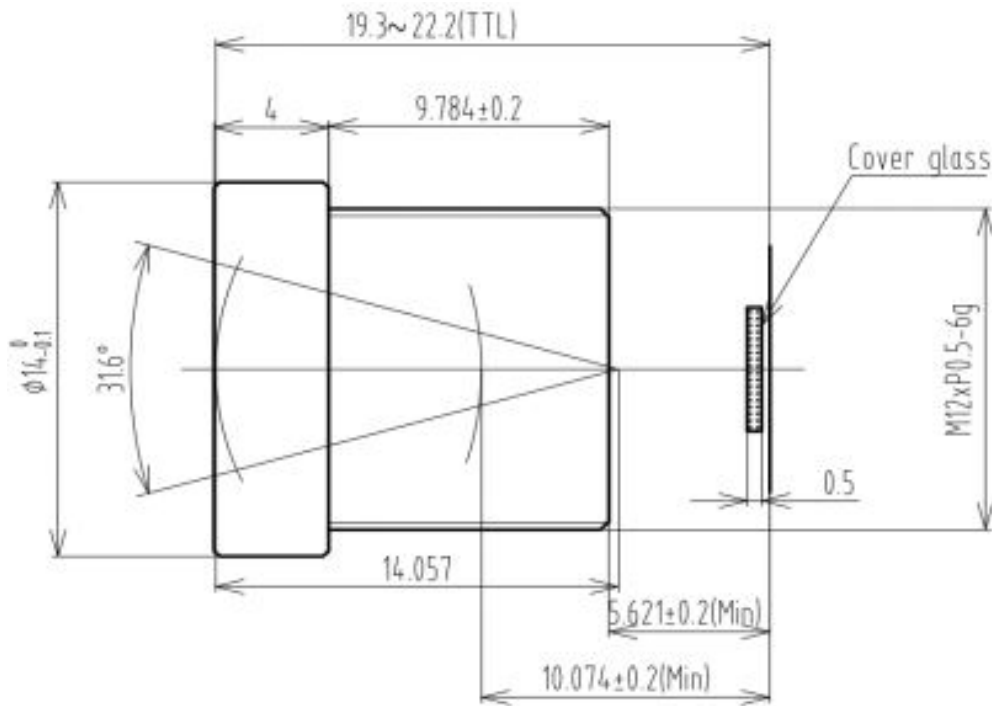


B5M16028S118



The S-Mount lens Lensagon B5M16028S118 is suitable for common sensors up to 5.00 megapixel with an image format of 1/1.8 inch.

Technical Data

Mount	S-Mount
Sensor	1/1.8 - 1/2 inch Sensor
Focal Length	16.00 mm
Aperture	2.80
MOD	0.10 m
Back Focal	10.07 mm
Angle of View	D:30.30° H:24.40° V:18.40°
Megapixel	5.00 MP
TV Distortion	-0.10 %
Image Circle	8.90 mm
Weight	11.60 g
Iris	fixed
Filter	optional
Typ	Standard

5 Megapixel

