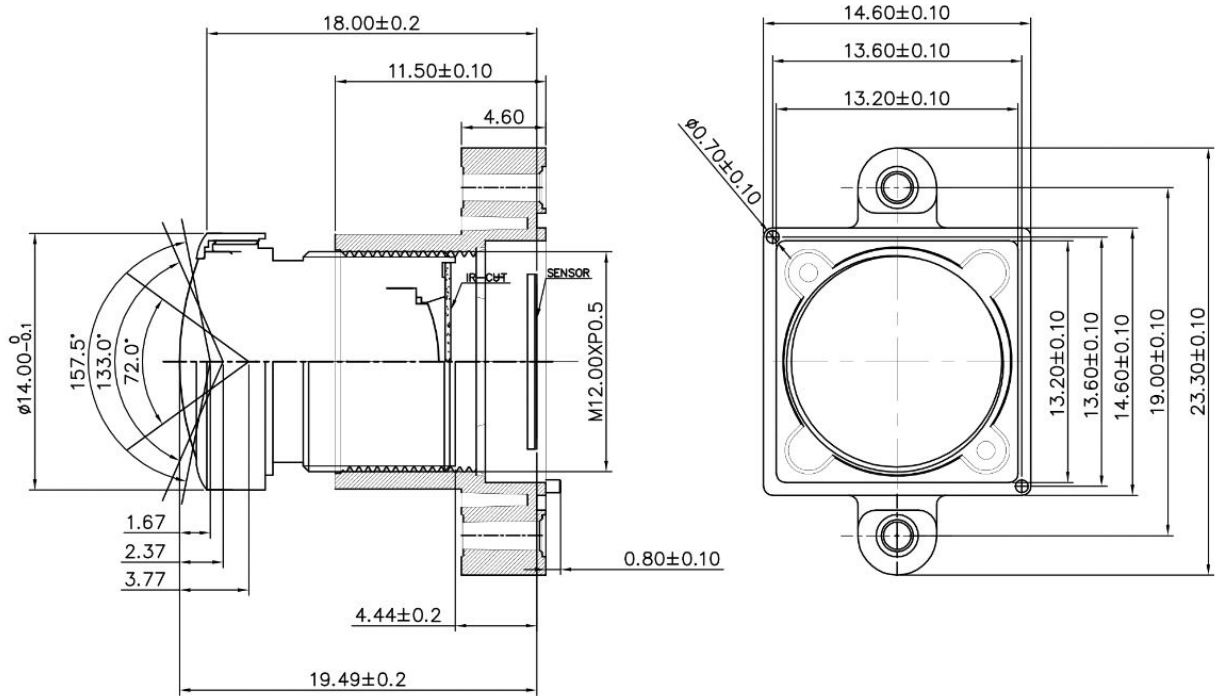


B6M3422S12C



The S-Mount lens Lensagon B6M3422S12C is suitable for current sensors up to 6.00 megapixel with an image format of 1/1.8 inch.

Technical Data

Mount	S-Mount
Sensor	1/1.8 - 1/2 inch Sensor
Focal Length	3.47 mm
Aperture	2.20
Back Focal	4.44 mm
Angle of View	D:157.50° H:133.00° V:72.00°
Megapixel	6.00 MP
IR Cut Filter	Yes
TV Distortion	-75.00 %
Image Circle	9.50 mm
Iris	fixed
Chief ray angle	19.10 °
Typ	Standard

6 Megapixel

