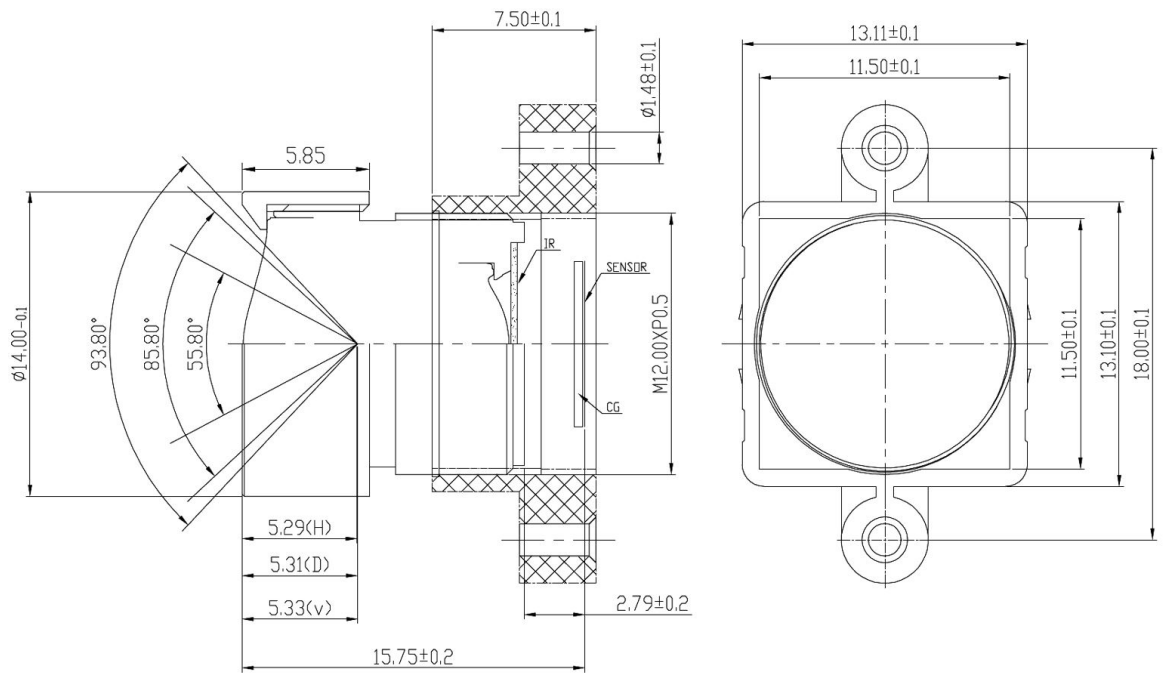


# BE2M28827S128C



The S-Mount lens Lensagon BE2M28827S128C is suitable for common sensors up to 2.00 megapixel with an image format of 1/2.8 inch.

## Technical Data

Mount	S-Mount
Sensor	1/2.8 inch
Focal Length	2.88 mm
Aperture	2.70
Back Focal	2.79 mm
Angle of View	D:93.80° H:85.80° V:55.80°
Megapixel	2.00 MP
IR Cut Filter	Yes
TV Distortion	0.50 %
Image Circle	7.80 mm
Chief ray angle	7.20 °
Typ	Standard