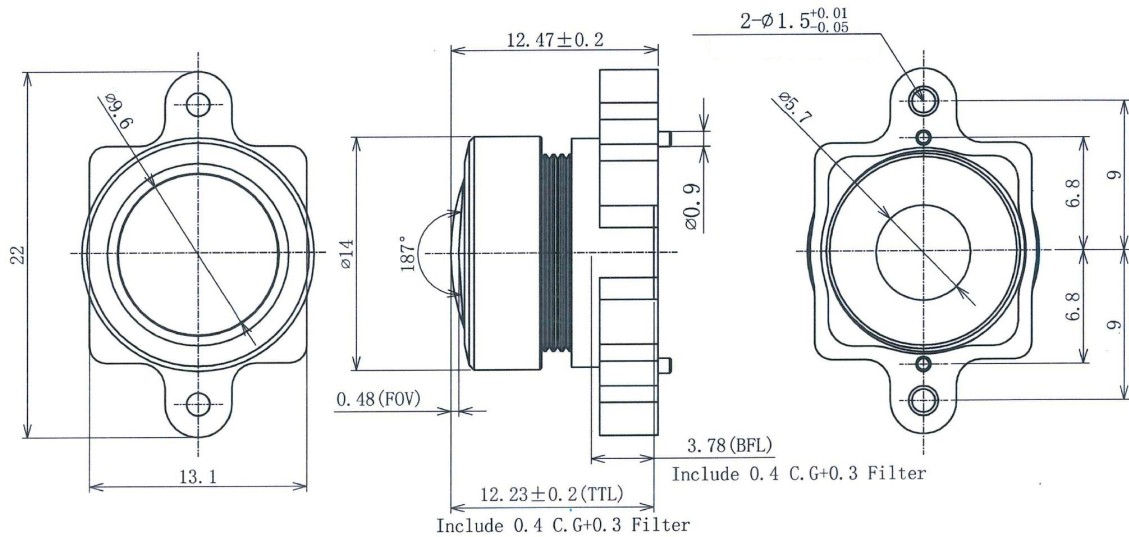


BFM19322S129C



The S-Mount lens Lensagon BFM19322S129C is suitable for sensors below 1 megapixel with an image format of 1/2.9 inch.

Technical Data

Mount	S-Mount
Sensor	1/2.9 inch
Focal Length	1.93 mm
Aperture	2.20
MOD	0.10 m
Back Focal	3.78 mm
Angle of View	D:187.00° H:175.00° V:90.90°
IR Cut Filter	Yes
Optical Distortion	-11.60 %
Image Circle	5.60 mm
Iris	fixed
Focus	fixed
Typ	Fisheye

