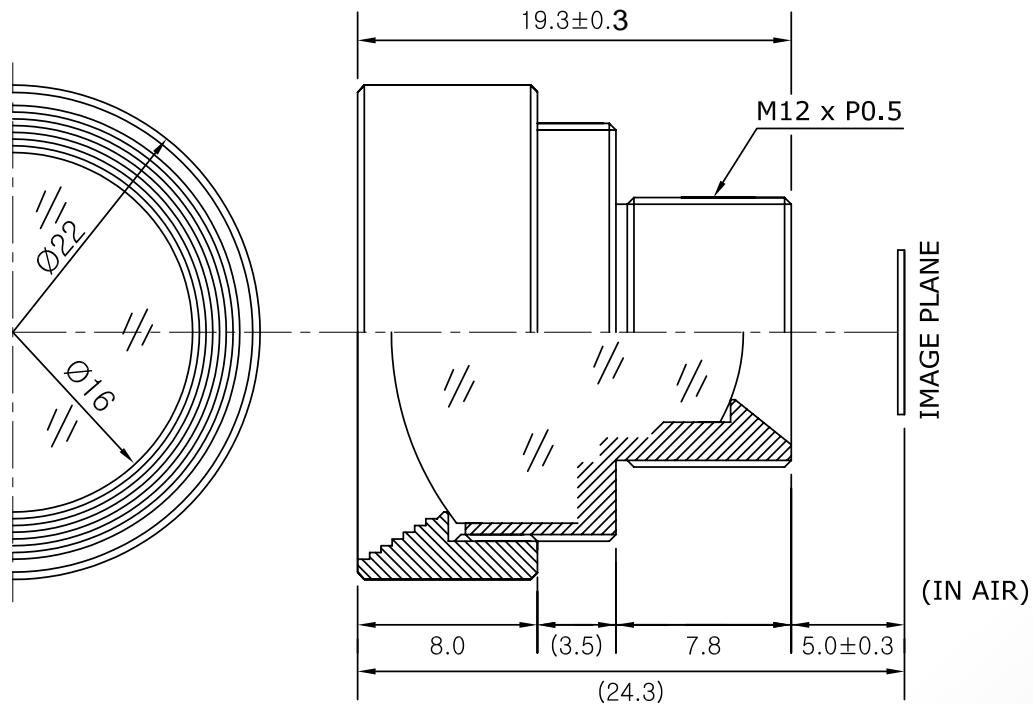


BHR16012S12



The S-Mount lens Lensagon BHR16012S12 is suitable for common sensors up to 1 megapixel with an image format of 1/2 inch. It is characterized by a particularly high light intensity. Coating: Single layer coating

Technical Data

Mount	S-Mount
Sensor	1/2 inch
Focal Length	16 mm
Aperture	1.2
MOD	0.3 m
Back Focal	7.2 mm
Angle of View	D:27.7° H:21.8° V:16.5°
Megapixel	1-2 MP
IR Cut Filter	No
Optical Distortion	0.02 %
Weight	12 g
Iris	fixed
Focus	fixed
Typ	Standard



Light Sensitive



Megapixel