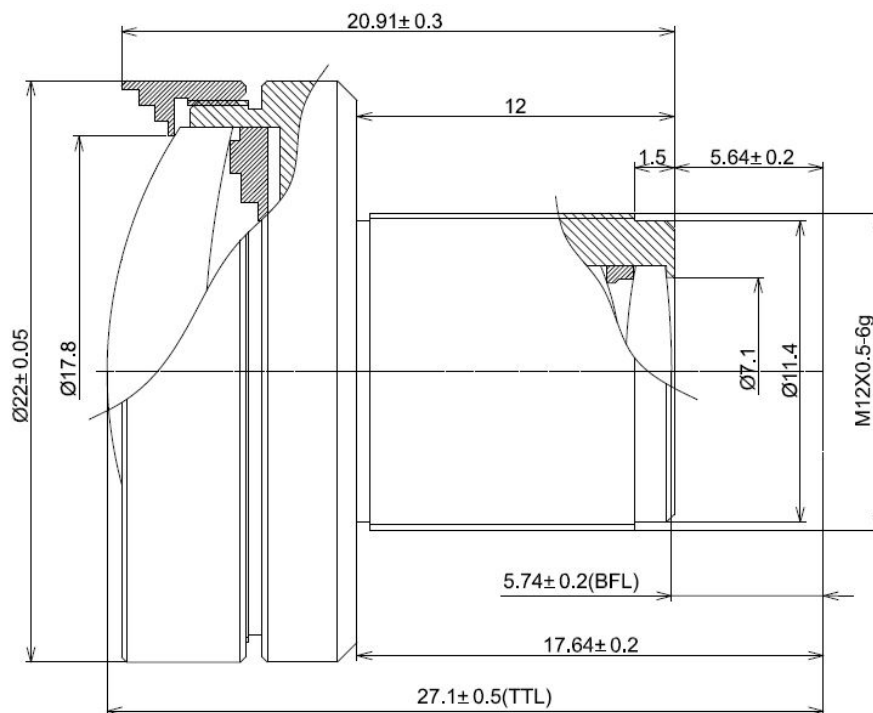


Lensagon BM3516ND



The S-Mount lens Lensagon BM3516ND is suitable for common sensors up to 1 megapixel with an image format of 1/3 inch. It is characterized by a particularly high light intensity.

Technical Data

Mount	S-Mount
Sensor	1/3 inch
Focal Length	3.5 mm
Aperture	1.6
MOD	0.2 m
Back Focal	5.97 mm
Angle of View	D:80° H:68° V:53.5°
Megapixel	1-2 MP
IR Correction	Yes
TV Distortion	-2.2 %
Weight	13 g
Iris	fixed
Focus	fixed
Chief ray angle	10 °
Typ	Standard



Light Sensitive



1 Megapixel