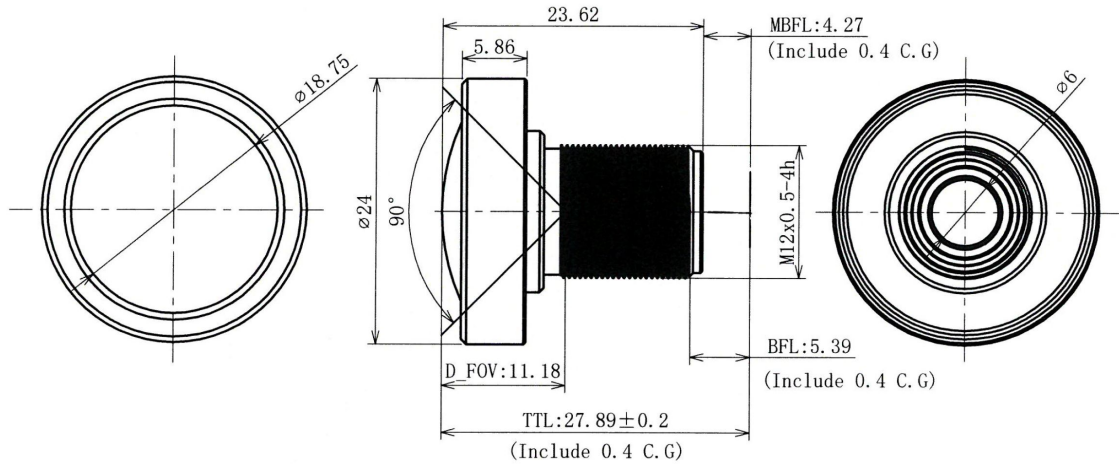


BM3520S125



The S-Mount lens Lensagon BM3520S125 is suitable for sensors below 1 megapixel with an image format of 1/2.5 inch. It is characterized by a particularly high light intensity.

Technical Data

Mount	S-Mount
Sensor	1/2.5 inch
Focal Length	3.50 mm
Aperture	2.00
MOD	0.50 m
Back Focal	5.39 mm
Angle of View	D:90.00° H:78.20° V:62.10°
IR Correction	Yes
Optical Distortion	-3.00 %
Image Circle	7.50 mm
Chief ray angle	14.50 °
Typ	Standard



Light Sensitive

