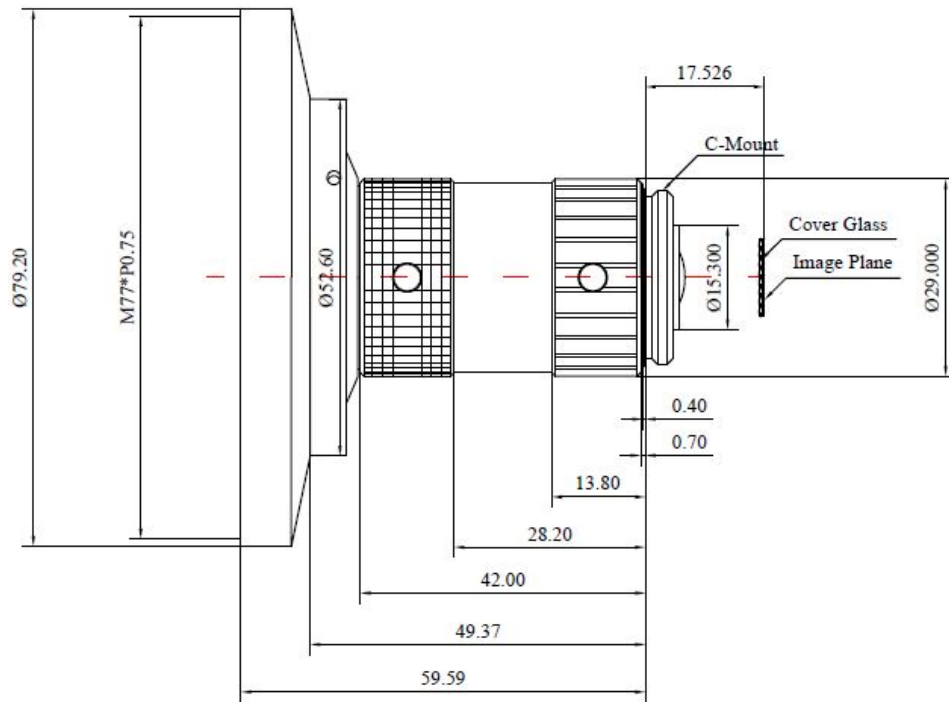


CH12M0428S117



The C-Mount lens Lensagon CH12M0428S117 is suitable for current sensors up to 12.00 megapixel with an image format of 1/1.7 inch.

Technical Data

Mount	C-Mount
Sensor	1/1.7 inch
Focal Length	4.00 mm
Aperture	2.80
MOD	0.20 m
Back Focal	17.53 mm
Angle of View	D:98.20° H:86.10° V:70.80°
Megapixel	12.00 MP
TV Distortion	-2.02 %
Typ	Standard