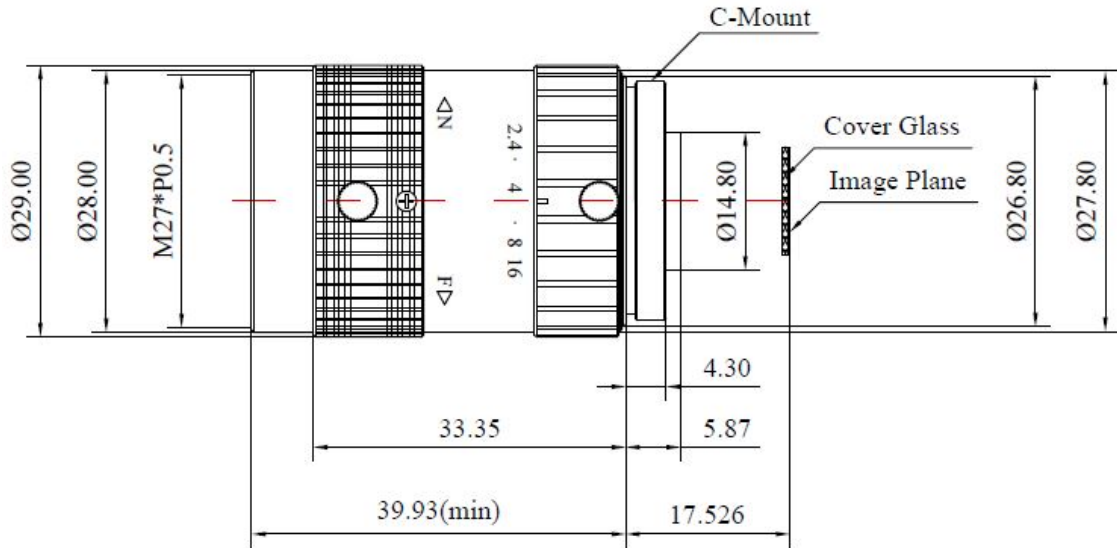


# CH12M0824S117



The C-Mount lens Lensagon CH12M0824S117 is suitable for current sensors up to 12.00 megapixel with an image format of 1/1.7 inch.

## Technical Data

Mount	C-Mount
Sensor	1/1.7 inch
Focal Length	8.00 mm
Aperture	2.40
MOD	0.10 m
Back Focal	17.53 mm
Angle of View	D:60.23° H:49.65° V:38.58°
Megapixel	12.00 MP
TV Distortion	-1.43 %
Typ	Standard