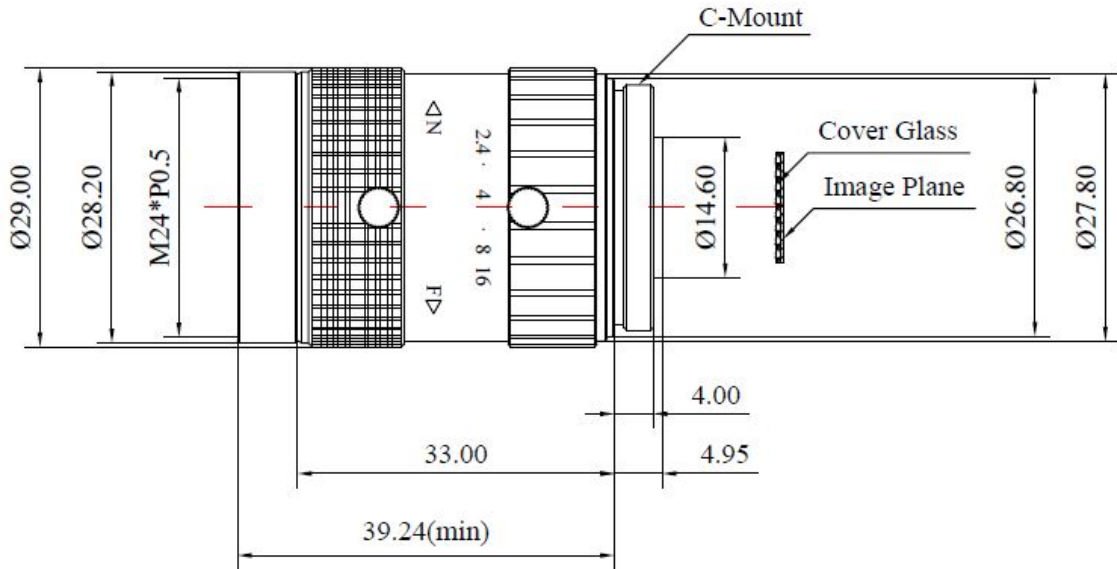


# CH12M1224S117



The C-Mount lens Lensagon CH12M1224S117 is suitable for current sensors up to 12.00 megapixel with an image format of 1/1.7 inch.

## Technical Data

|               |                            |
|---------------|----------------------------|
| Mount         | C-Mount                    |
| Sensor        | 1/1.7 inch                 |
| Focal Length  | 12.00 mm                   |
| Aperture      | 2.40                       |
| MOD           | 0.10 m                     |
| Back Focal    | 17.53 mm                   |
| Angle of View | D:43.28° H:35.10° V:26.92° |
| Megapixel     | 12.00 MP                   |
| TV Distortion | 1.10 %                     |
| Typ           | Standard                   |