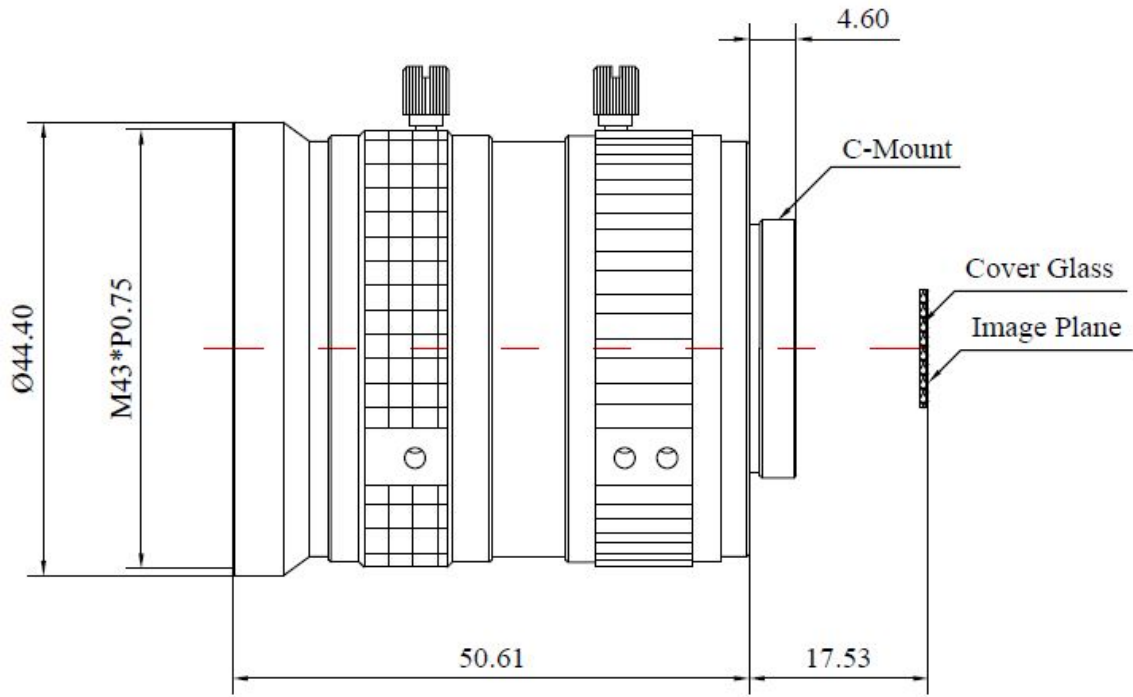


CH25M3528S11



The C-Mount lens Lensagon CH25M3528S11 is suitable for current sensors up to 25.00 megapixel with an image format of 1.1 inch.

Technical Data

Mount	C-Mount
Sensor	1.1 inch
Focal Length	35.00 mm
Aperture	2.80
MOD	0.15 m
Back Focal	17.53 mm
Angle of View	D:26.60° H:21.50° V:15.90°
Megapixel	25.00 MP
TV Distortion	0.15 %
Typ	Standard

25 Megapixel

