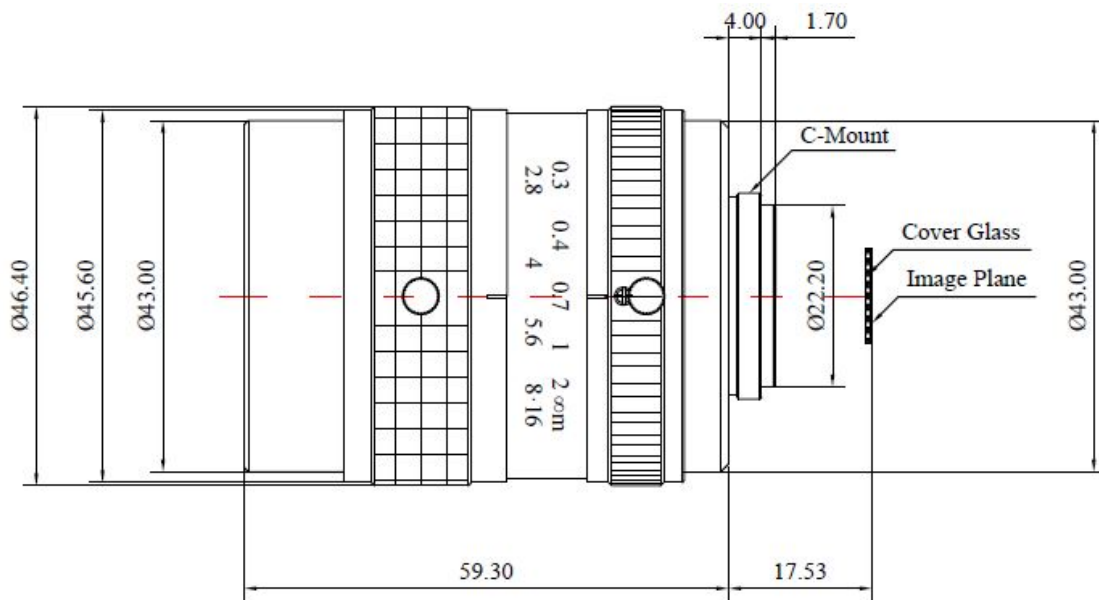


# CH25M5028S11



The C-Mount lens Lensagon CH25M5028S11 is suitable for current sensors up to 25.00 megapixel with an image format of 1.1 inch.

## Technical Data

Mount	C-Mount
Sensor	1.1 inch
Focal Length	50.00 mm
Aperture	2.80
MOD	0.30 m
Back Focal	17.53 mm
Angle of View	D:19.80° H:16.10° V:12.90°
Megapixel	25.00 MP
TV Distortion	0.10 %
Typ	Standard