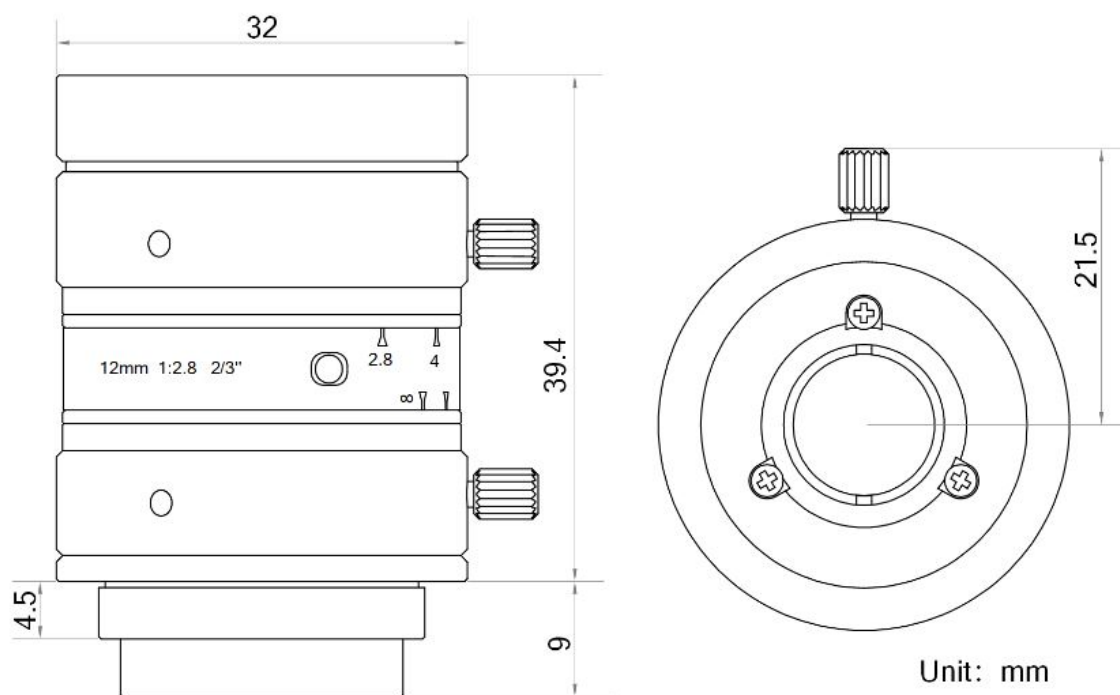


# CK8M1228S23



The C-Mount lens Lensagon CK8M1228S23 is suitable for current sensors up to 8 megapixel with an image format of 2/3 inch.

## Technical Data

Mount	C-Mount
Sensor	2/3 inch
Focal Length	12 mm
Aperture	2.8
MOD	0.1 m
Angle of View	D:48.6° H:37.9° V:32.04°
Megapixel	8 MP
Optical Distortion	0.28 %
Iris	manual-lock
Focus	manual-lock
Typ	Standard