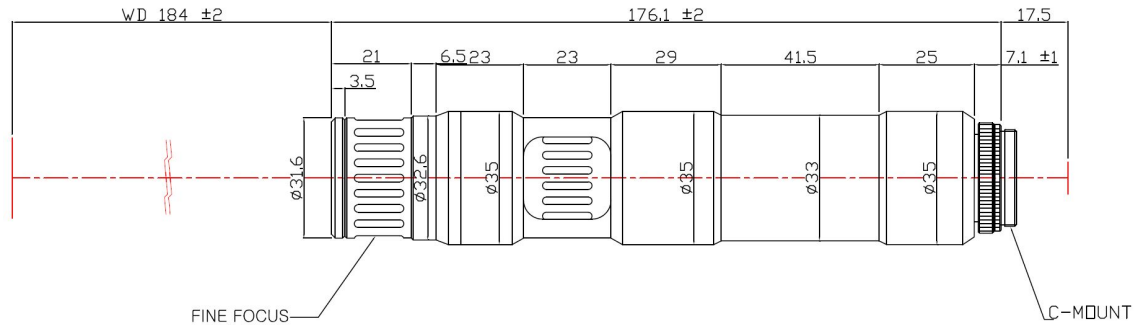


# Lensagon MZC0515



The Macro Lens MZC0515 is suitable for sensors with an image format of 1/2 inch.

## Technical Data

Magnification	0.5 X
Mount Type	C-Mount
Aperture (F)	8.3
Working Distance (WD)	184
Depth of Field (DOF)	2600 µm
Resolution (Object Side)	11.2 µm
Numerical Aperture (NA)	0.0298
Image Format (max.)	1/2 inch
Field of View (FOV)	12.8mm x 9.6mm@0.5X
Telecentric Type	Macro
Optical Distortion (max.)	0.2 %
Special Feature	Zoom

