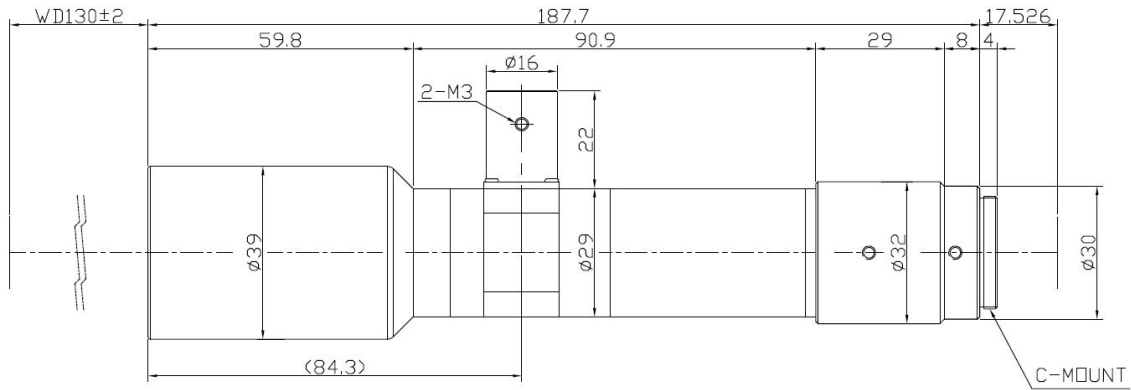


# TC4M-10-130C



The Object Side Telecentric Lens TC4M-10-130C is suitable for sensors up to 4 megapixel and with an image format of 1 inch.

## Technical Data

Art.Gr.	TEL
Magnification	1 X
Working Distance (WD)	130 mm
Depth of Field (DOF)	396 µm @CoC 22 µm
Resolution (Object Side)	6 µm
Image Format (max.)	1 inch
Megapixel (max.)	4 MP
Working F-Number	9
Numerical Aperture (NA)	0.056
Field of View (FOV)	11.26mm x 11.26mm
Telecentric Type	Object Side
Telecentricity	0.03 °
Optical Distortion (max.)	0.03 %
Mount Type	C-Mount

